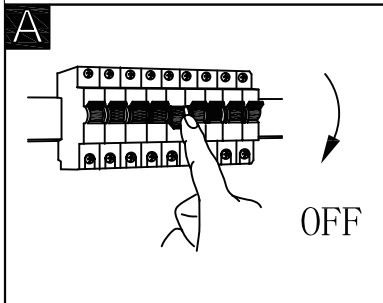


# GLOBO

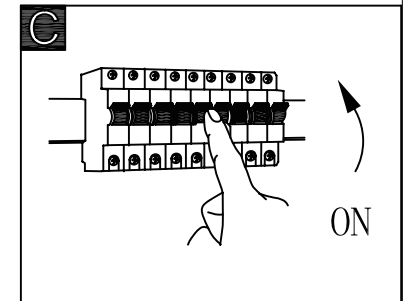
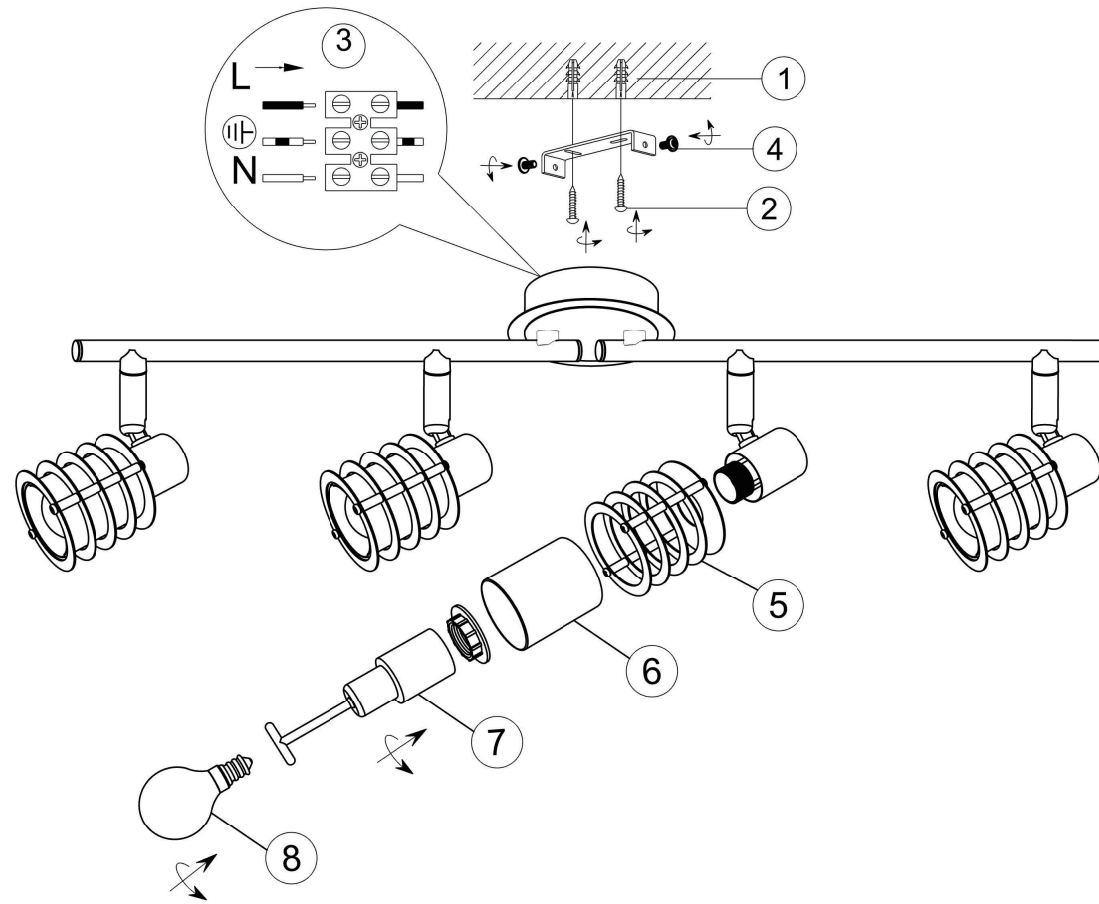
LIGHTING

[www.globo-lighting.com](http://www.globo-lighting.com)

## 54816-4



**B**



GLOBO Handels GmbH  
Gewerbestr. 3  
A-9184 Sankt Peter